

DN POWER Li-Po battery Parallel Charger User Manual

(Model : DN POWER Spirit Charger)

1、 Input voltage : DC 11V-15V, the working current is less than 4A when it is charged in full load.

2、 Operation Temperature: 0~40 °C

3、 Connect the balance adapter of Li-Po battery to the corresponding charging output (please refer to Fig.1). Different ports are used to connect Li-Po battery pack or Li-ion cell. For example:

For one 3.7V Li-ion cell, corresponding port is "1cell" .

For a Li-Po battery pack of 7.4V, corresponding port is "2cell" .

For a Li-Po battery pack of 11.1V, corresponding port is "3cell" .

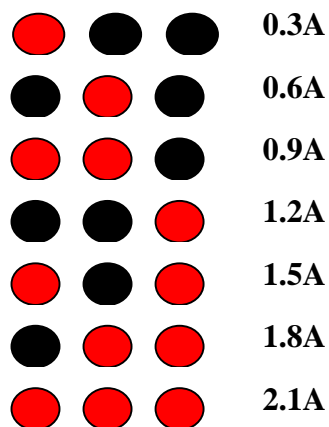
4、 Charging mode in parallel connection

Charge one 3.7V Li-ion battery cell in parallel

Charge a Li-Po battery pack of 7.4V; or charge a Li -Po battery pack of 7.4V and one 3.7V Li-ion battery cell in parallel

Charge a Li-Po battery pack of 11.1V in parallel

5、 The "SET" button shown at back panel is to adjust the preferred charging current. The 3 LED light indicators - 0.3A, 0.6A, and 1.2A are shown respectively. With each press on the "SET" button, charging current is increased by 0.3A, up to 2.1A. The sum of charging current is the adding of indications of each bright indicator, For example: LED indicators of 0.3A, 0.6A and 1.2A are on at the same time, meaning the charging current is 2.1A. (Please see diagram below)



6、 The LED indicators on the front panel show charging status. Switching on charger, The 3 LED indicators will flash alternately; connect the batteries, after setting the charging current, press "START/STOP" button to start charging, then the LED indicators corresponding to the battery cells being charged will be bright. Press "START/STOP" button when battery is charged, charging will stop.

7、 The corresponding LED indicator of first fully charged battery cell will be out first. After all battery cells are fully charged, three LED indicators on the front panel will flash alternately, and at the same time the buzzer will buzz for three times.

8、 The input power of the charger is protected from reversed polarity. So the charger won't be damaged if the input is connected to the reversed polarity, and the charger won't work.

9、 The battery should be connected to the charger according to the diagram. If the battery is connected to reverse polarity inadvertently, the charger and the battery won't be damaged because of the safety protection feature of charger. But connecting battery pack continuously reversed is not recommended. Because charger will overheat, which will degrade the performance of charger. If poor quality battery is used, battery might be damaged.

10、 When input voltage of charger is too high or too low, it will cause the abnormal operation and damage to charger.

★ Warning : Charge no more than 3 cell Li-ion/Li-Polymer battery at each time.

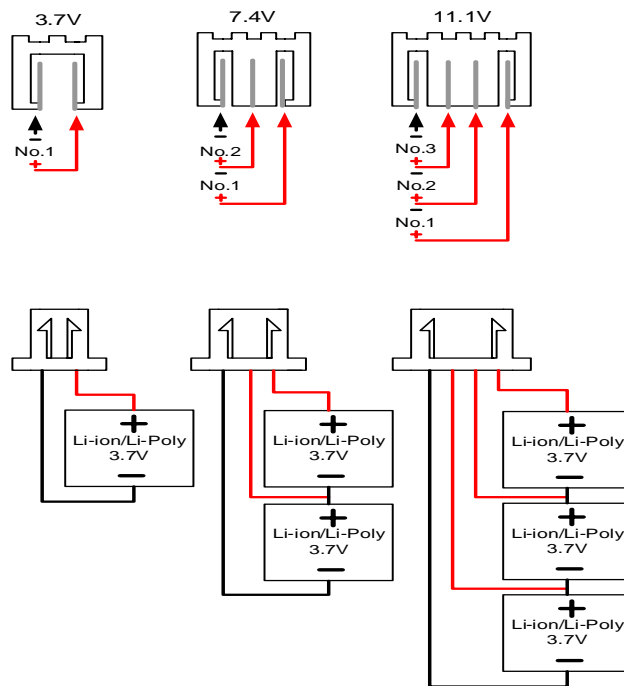


Fig.1 : The Scheme Diagram of the charging output ports.